

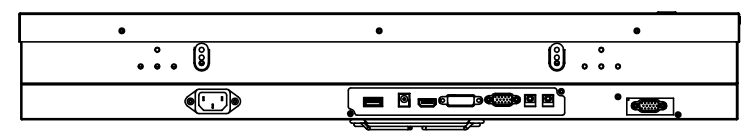
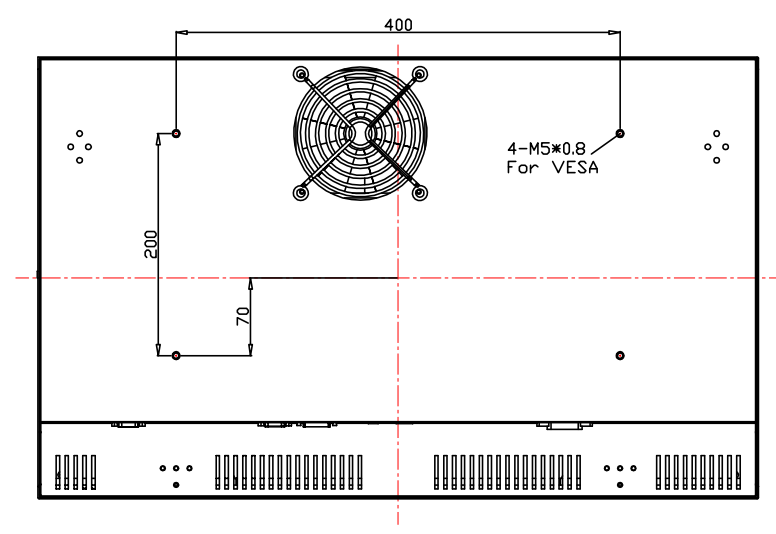
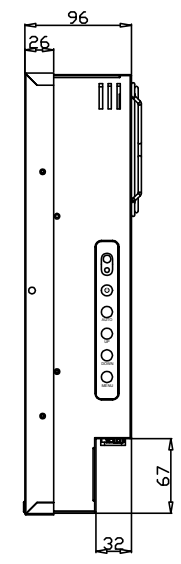
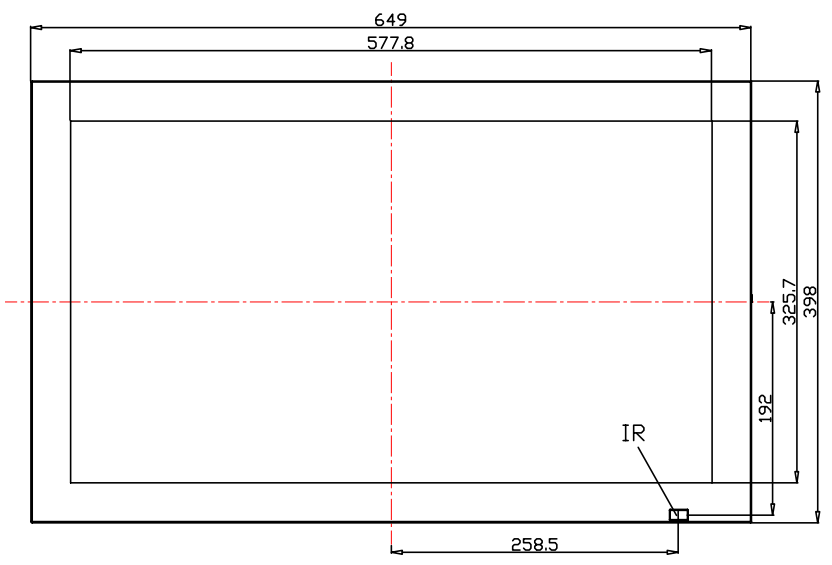
1 2 3 4 5

A A

B B

C C

D D



AD/BOARD		MODEL	CH2605v3 / SCH2605v3								
INVERTER											
KEY PAD									PART NAME	ASSEMBLY	
PANEL:		VERSION	MATERIAL	METAL	DATE	2010-06-30	APPROVED	DRAWN	JACK	UNIT	MM
		V1									

1 2 3 4 5