

1 2 3 4 5

A

B

C

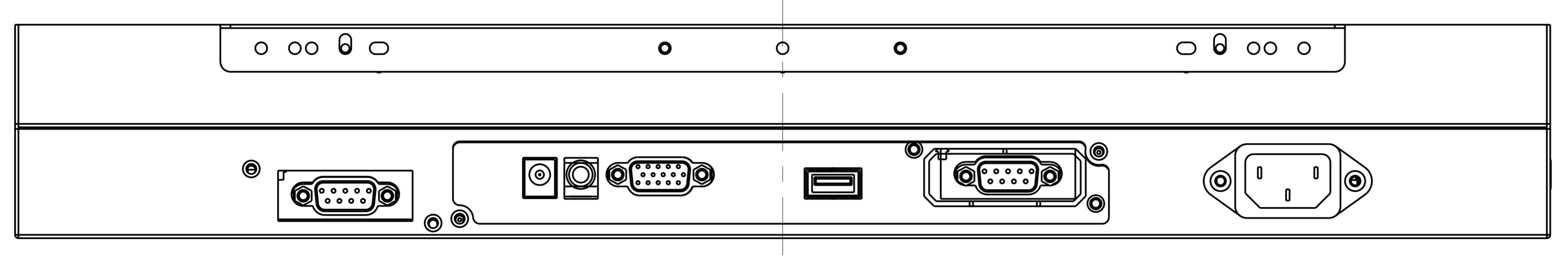
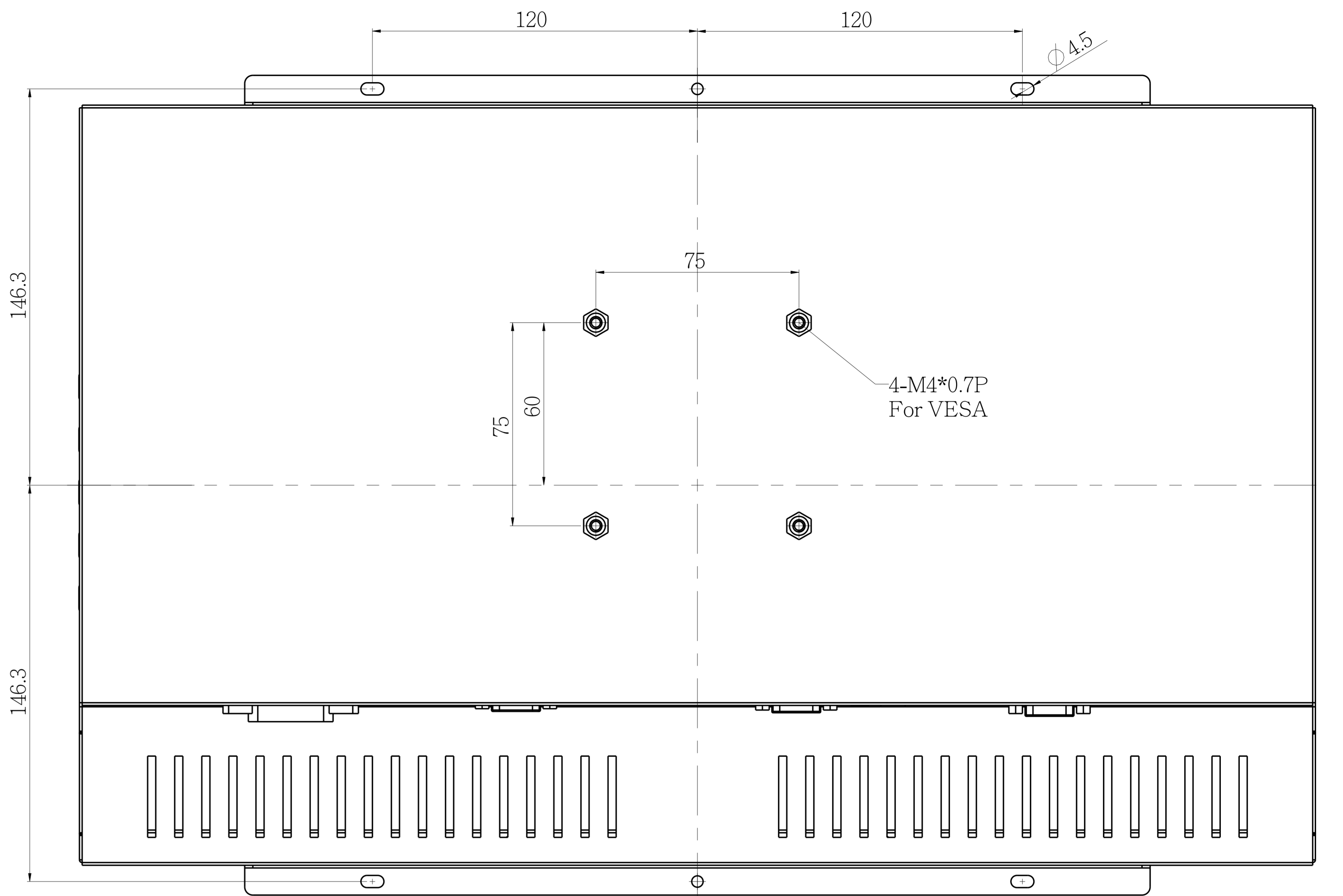
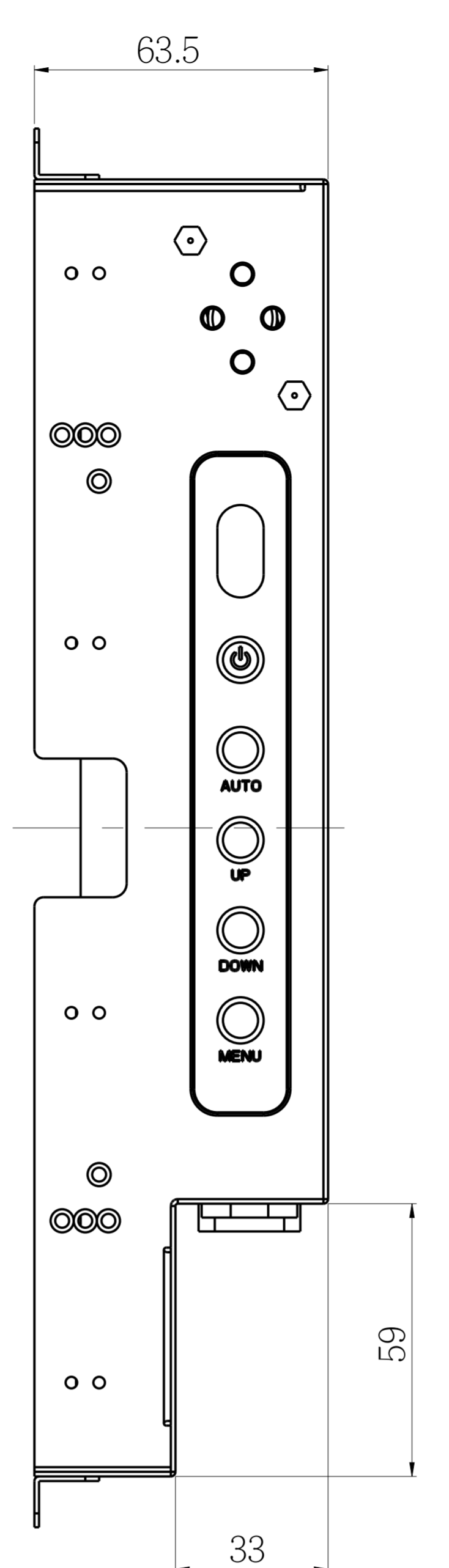
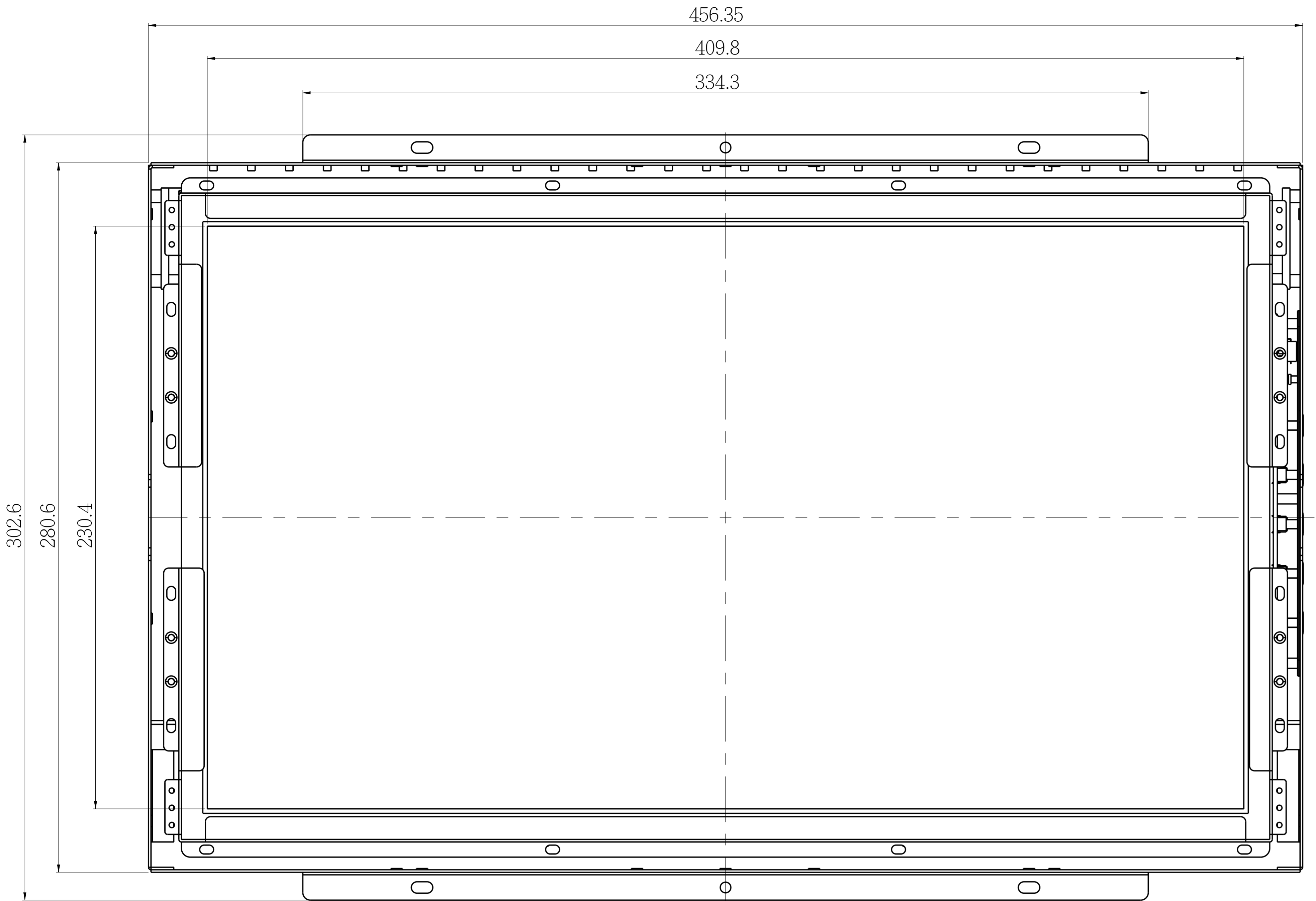
D

A

B

C

D



AD/BOARD					Lextron						
INVERTER		MODEL	OF1855								PART NAME
KEY PAD											
PANEL:		VERSION	MATERIAL	METAL	DATE	2012-Apr-09	APPROVED	DRAWN	Chris	UNIT	MM
		V1									

1 2 3 4 5