

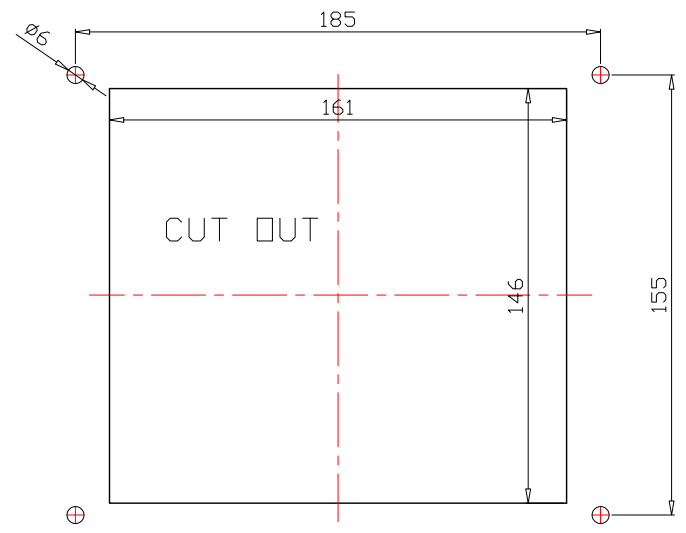
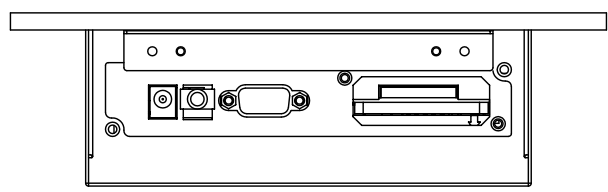
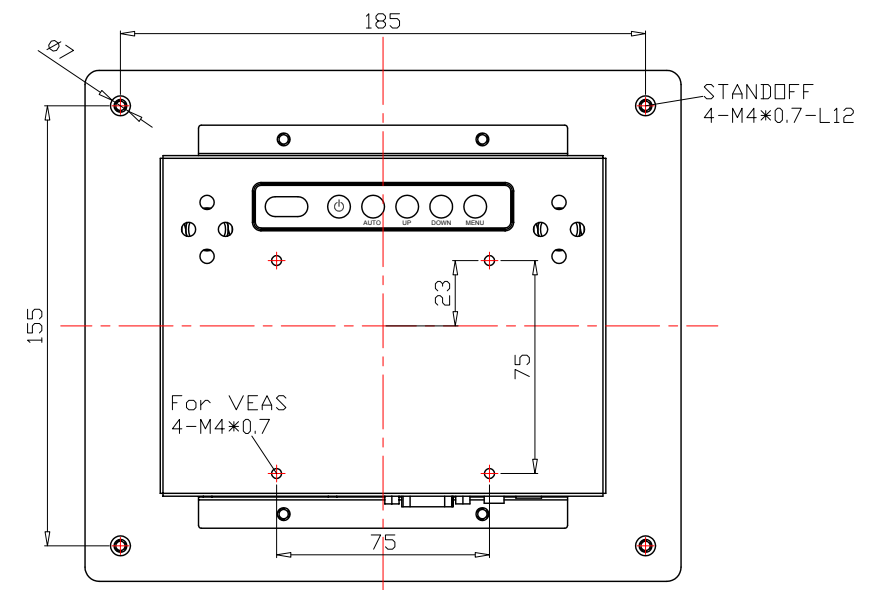
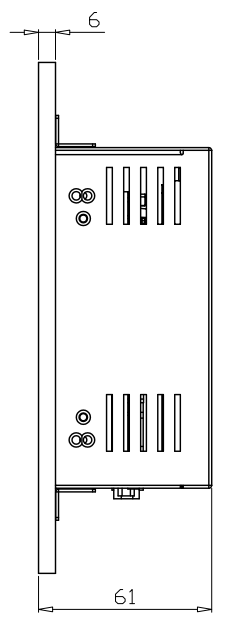
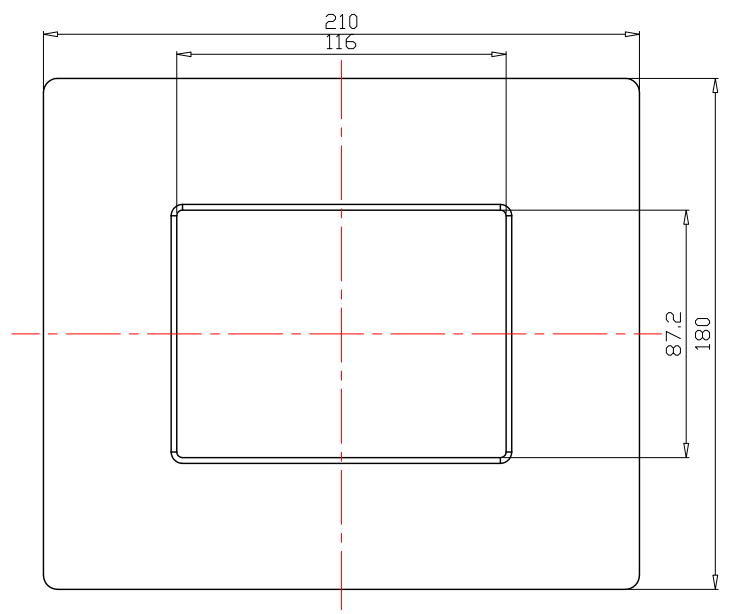
1 2 3 4 5

A

B

C

D



AD/BOARD		MODEL	PM0576			PART NAME		Assembly			
INVERTER											
KEY PAD						VERSION		DATE	2012-Feb-13	APPROVED	
PANEL:			MATERIAL								
AU-G057VN01_V0		D									

1 2 3 4 5

A

B

C

D

Lextron