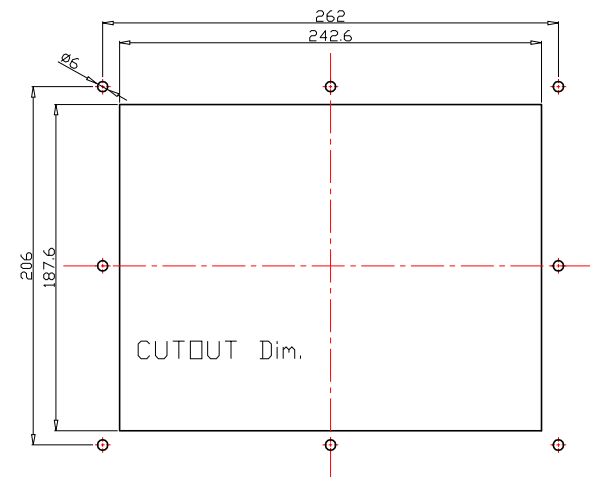


VIEW A



AD/BOARD		MODEL	PM0846							
INVERTER										
KEY PAD										
PANEL:		VERSION	MATERIAL	DATE	2012-Mar-09	PART NAME	ASSEMBLY			
D		D					APPROVED		DRAWN	JACK
								UNIT	MM	