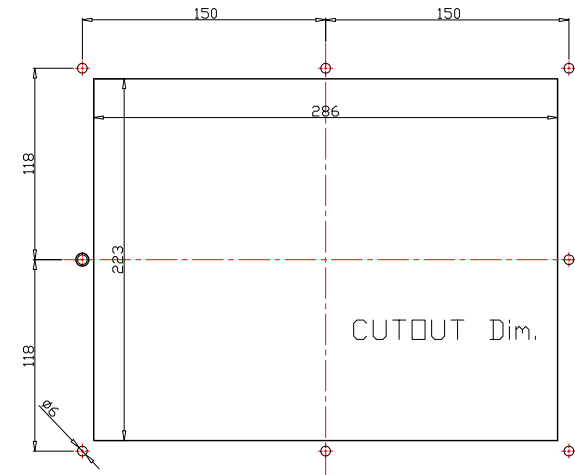


VIEW A



AD/BOARD		MODEL	PM1045						
INVERTER									
KEY PAD									
PANEL:	VERSION	MATERIAL	METAL	DATE	2012-Feb-22	PART NAME	Assembly		
	D								
								DWG	MM

1

2

3

4

5