

1 2 3 4 5

A

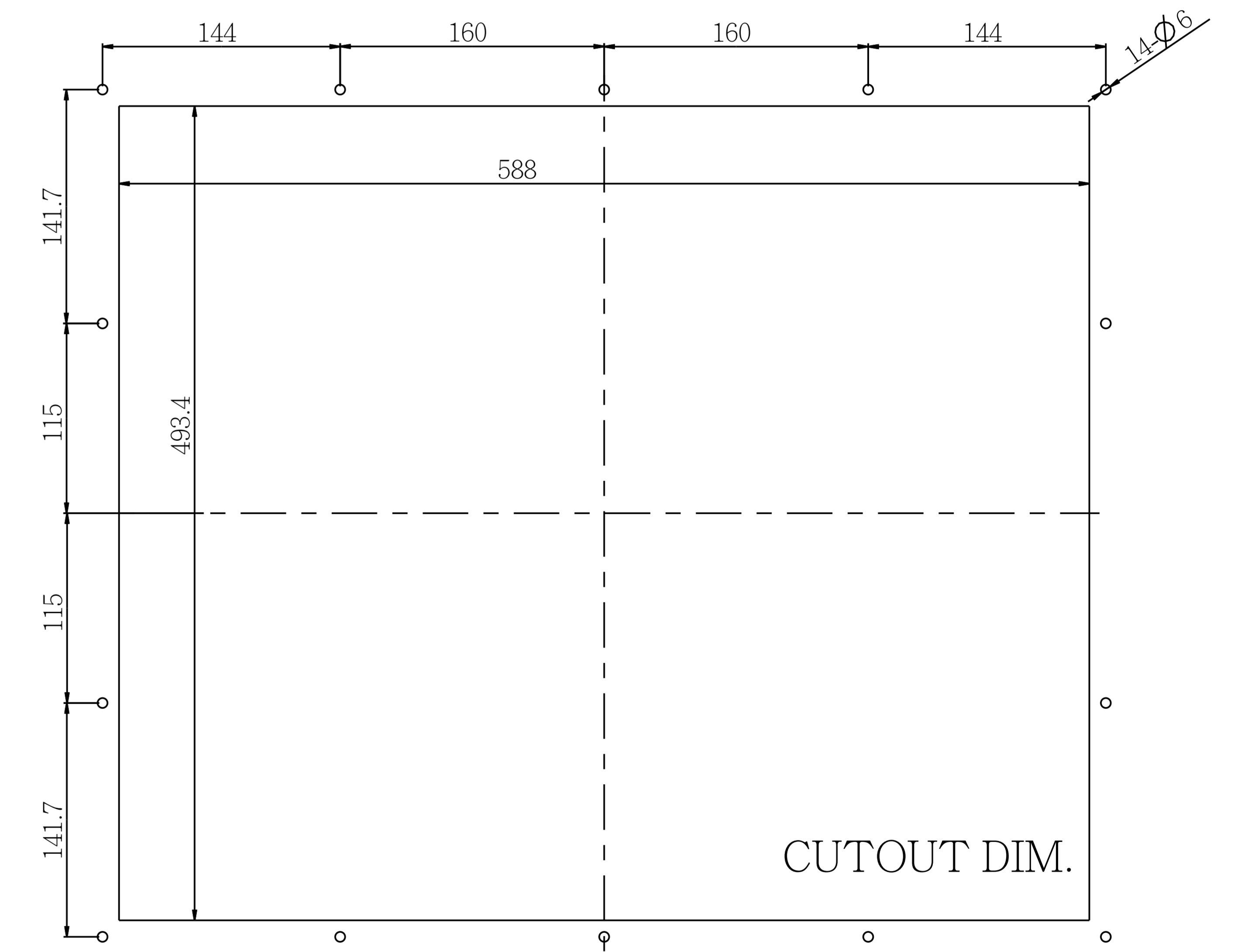
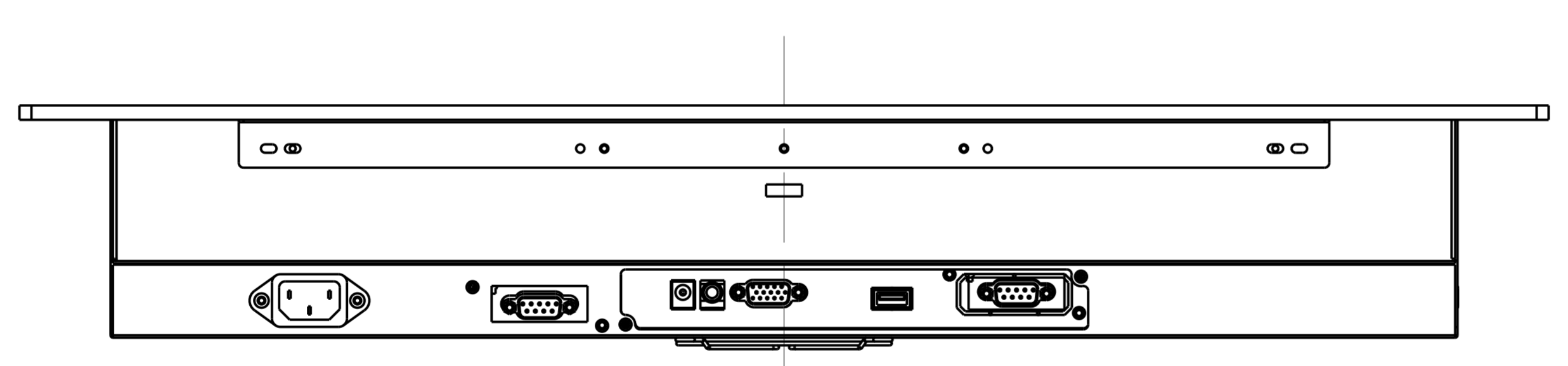
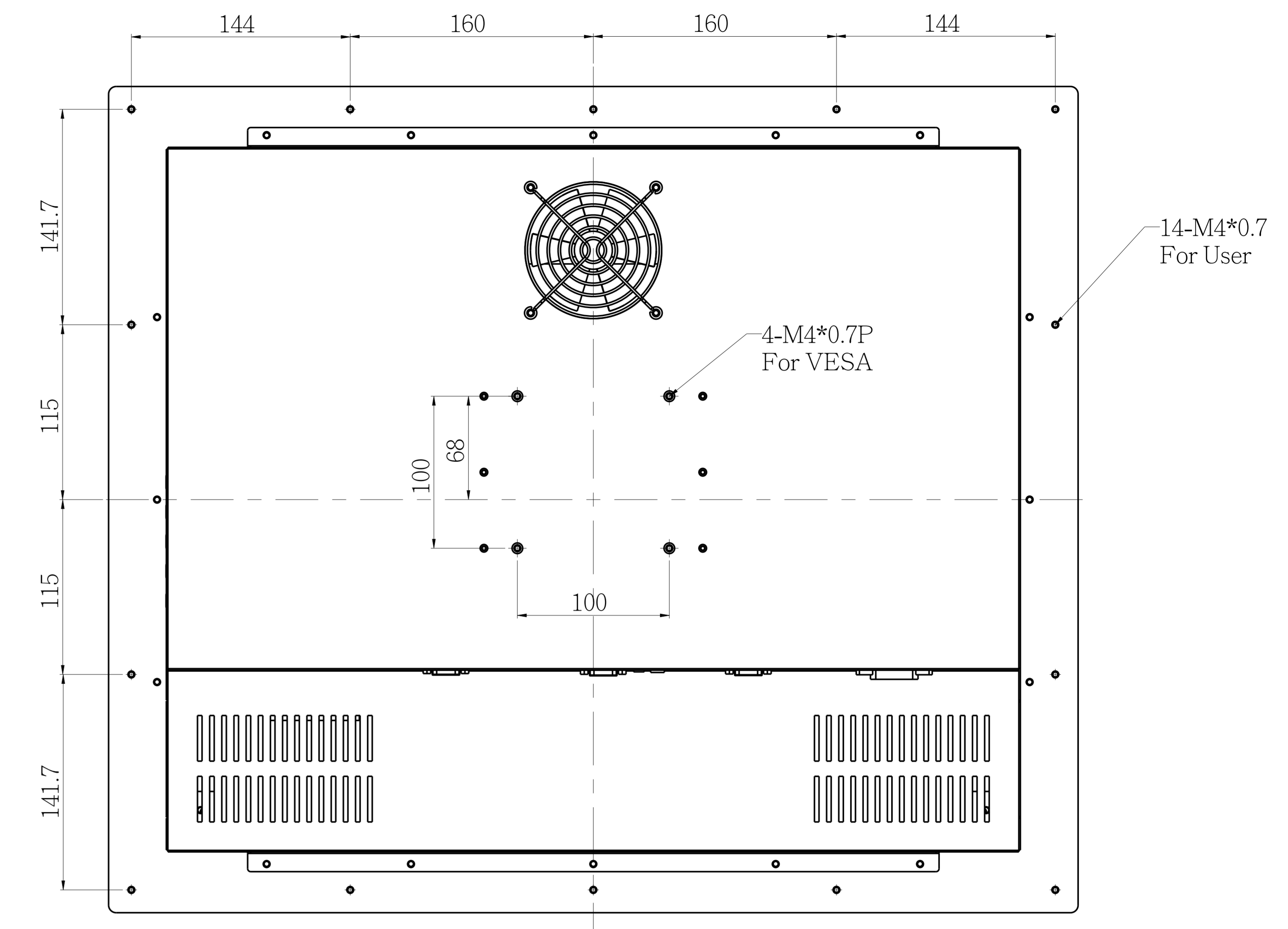
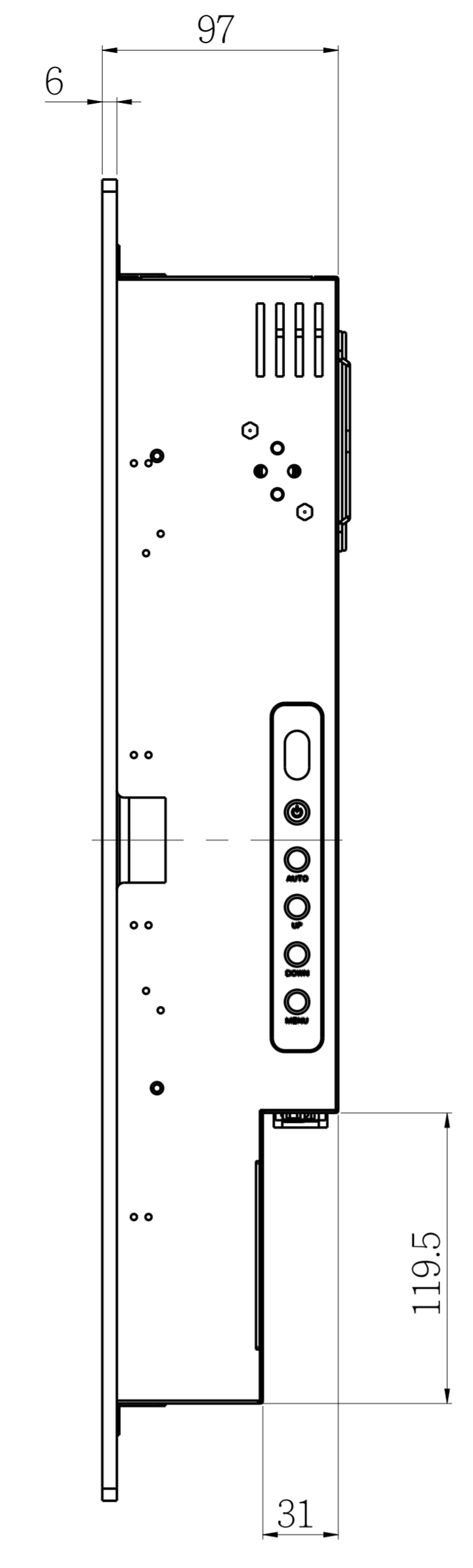
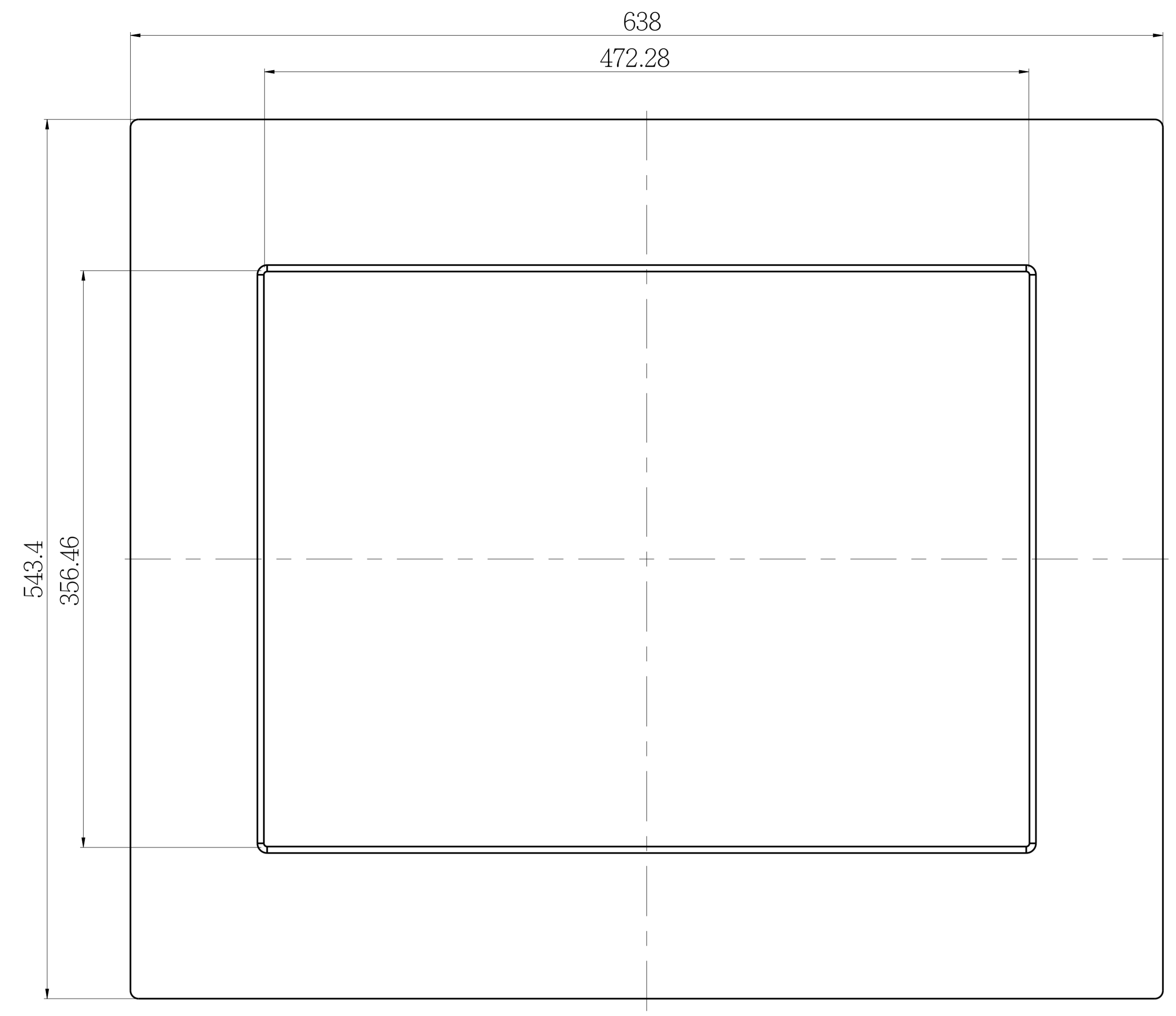
B

C

A

B

C



AD/BOARD								Lextron					
INVERTER													
KEY PAD				MODEL		PM2316		PART NAME		ASSEMBLY			
PANEL:		VERSION		MATERIAL		METAL		DATE		2012-Apr-20		SCALE 0.500	
		V1										UNIT MM	
1		2		3		4		5					

D