

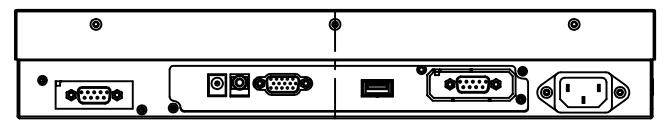
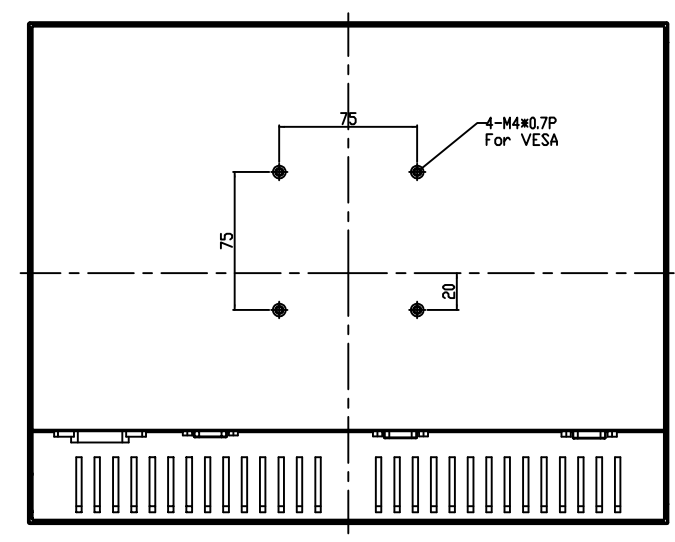
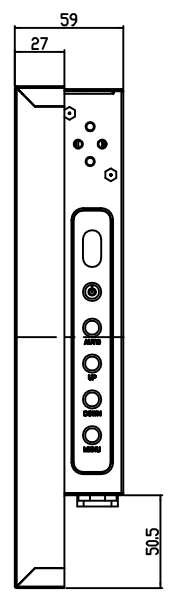
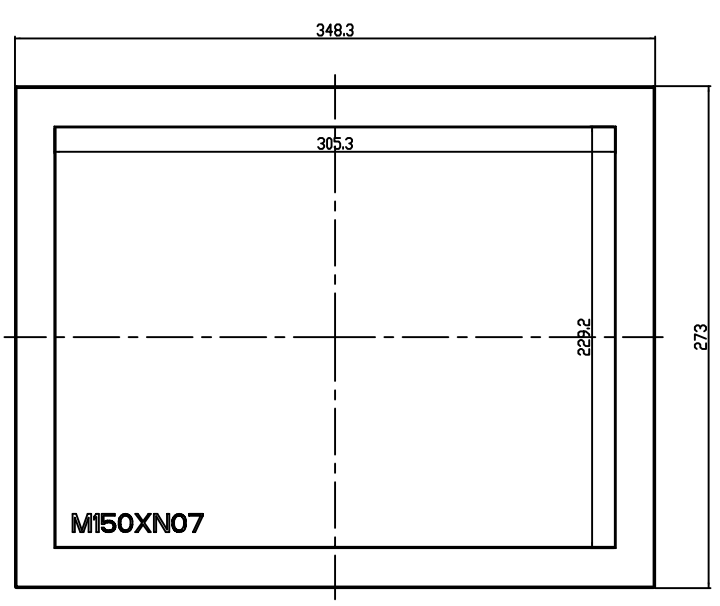
1 2 3 4 5

A

B

C

D



|          |         |          |                  |      |             |                |          |      |              |         |
|----------|---------|----------|------------------|------|-------------|----------------|----------|------|--------------|---------|
| AD/BOARD |         | MODEL    | CH1505 / SCH1505 |      |             | <b>Lextron</b> |          |      |              |         |
| INVERTER |         |          |                  |      |             |                |          |      |              |         |
| KEY PAD  |         |          |                  |      |             |                |          |      |              |         |
| PANEL:   | VERSION | MATERIAL | METAL            | DATE | 2012-Mar-01 | PART NAME      | ASSEMBLY |      | ⊕            | ⚡       |
|          | V1      |          |                  |      |             | APPROVED       | DRAWN    | Jack | SCALE 1:1000 | UNIT MM |

1 2 3 4 5